

GSM/GPRS/GPS Tracker User Manual



Car/Motorcycle/Scooter GPS Tracking Device

1. Features

- ◇ 9-90V Vehicle/scooter/motorcycle tracking
- ◇ Real-Time Tracking
- ◇ Power removal/Ignition/Vibrate alarm
- ◇ Support angle upload location
- ◇ Support 1500 data memory storage
- ◇ Remote upgrade via OTA
- ◇ External voltage detection
- ◇ Cut fuel/Resume fuel(Optional)
- ◇ SOS alarm (Optional)
- ◇ Microphone (Optional)
- ◇ Digital Output (Optional)
- ◇ Digital Input (Optional)

2. Specs.

Content	Specs.
Dim.	74*31*13mm, 35g
Network	GSM/GPRS
Frequency	850/900/1800/1900 MHz
GPS & GSM chipset	MTK2503D module
Location accuracy	<10 meters CEP
Time To First Fix(open sky)	Cold status <35s Hot status <1s
Working voltage	9-90VDC
GPRS Protocol	TCP/IP
Operating temp.	-20°C to +70°C
consumption	5mA~50mA
Memory data	1500points
Built-in battery	50mA



2. Install SIM Card

Insert **2G GSM SIM card** with activated GPRS data; Make sure SIM card with full balance; If SIM card with PIN code, must remove it advance.

Insert SIM to power on device, Take off SIM to power off device.

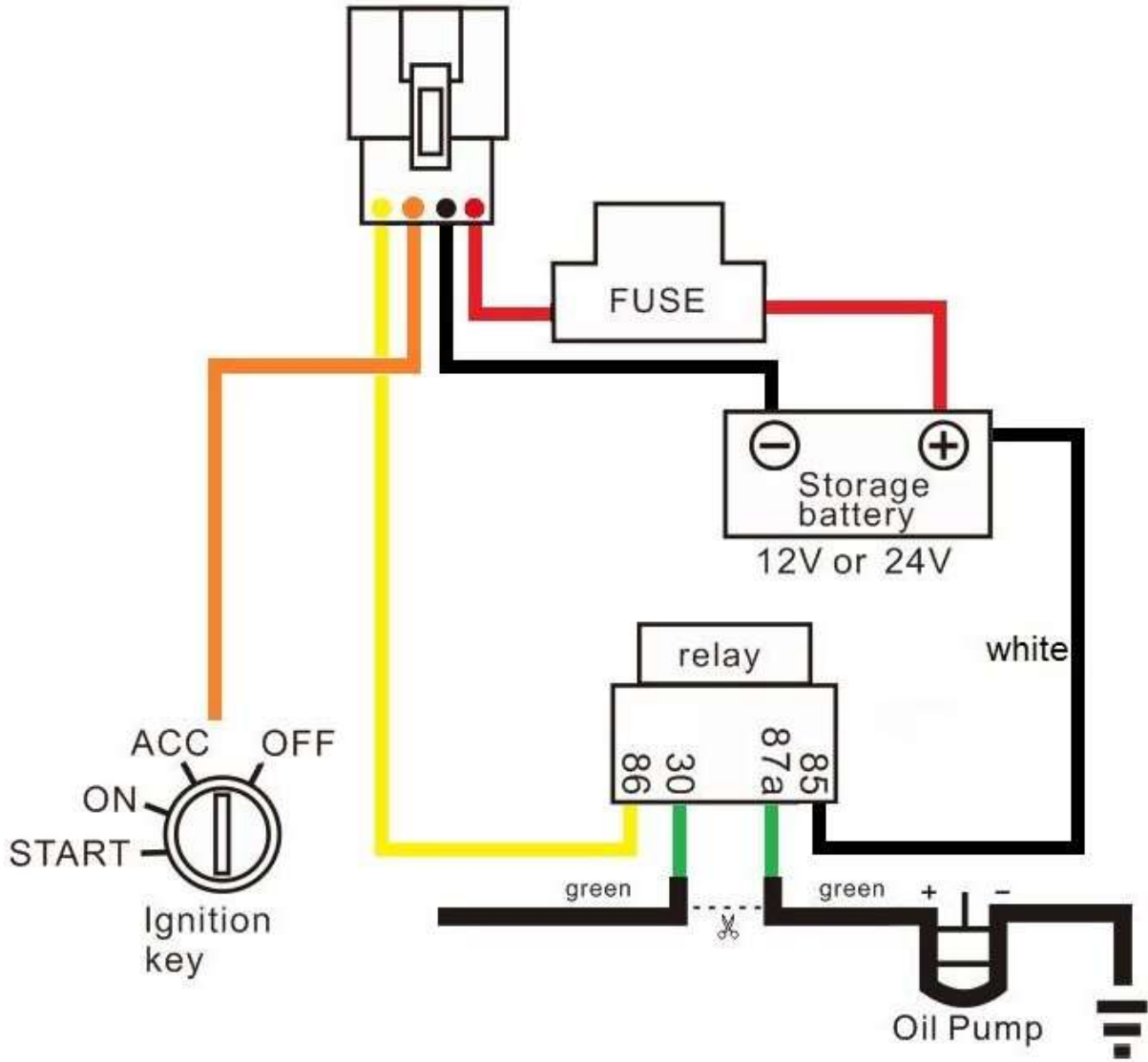


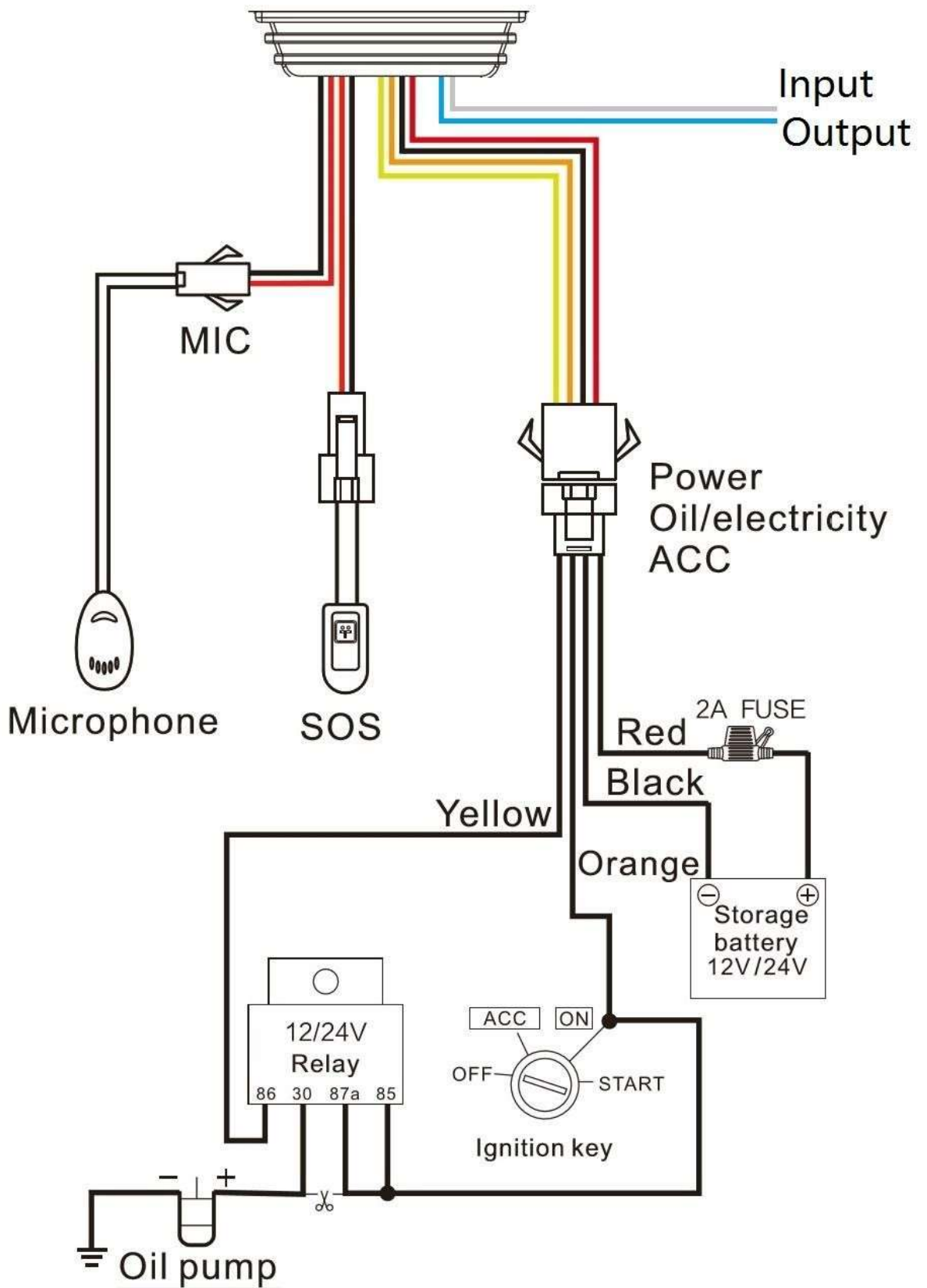
3. Device light description

Light	Signal
Green	<ul style="list-style-type: none"> ● Flashing at every 3s after connected server ● Always ON: no service
Blue	<ul style="list-style-type: none"> ● Flashing 1 time per second if GPS located ● Always Off: no GPS signal
Red	<ul style="list-style-type: none"> ● Flashing very flashing ● Always ON: external power connected



4. Wires connection (4wires or 10wires)





5. SMS Command List

Check Google link	WHERE#
Set Server Domain	SERVER,1,www.gps2828.com,7018,0#
Set Server IP	SERVER,0,121.201.110.168,7018,0#
Set APN	APN, [apnname]# or APN, [apnname],[user],[pwd]#
Check Device Status	STATUS#
Check Device parameters	PARAM#
Reset Device	RESET#
Upload time interval	TIMER,T1,T2# T1=5 ~ 18000seconds ACC ON time interval T2=300 ~ 18000seconds ACC OFF time interval
Control Relay	RELAY,0# Resume fuel RELAY,1# Cut fuel
Open Vibration alarm	SENALM,ON,M# M=0 ~ 2 alarm methods 0 stands for only GPRS 1 stands for SMS+GPRS 2 GPRS+SMS+CALL
Close Vibration alarm	SENALM,OFF#
Open power off alarm	POWERALM,ON,M,2,2# M=0 ~ 2 0 stands for only GPRS 1 stands for SMS+GPRS 2 GPRS+SMS+CALL
Close power off alarm	POWERALM,OFF#
Restore factory settings	FACTORY#
Set timezone	GMT,<A>,,<c># For example: GMT,E,5,30# or GMT,W,6,00#
Add Center number	CENTER,A,Number1,Number2,number3# CENTER,A,Number1,,#
Delete Center number	CENTER,D#
Optional-activate voice Listen	Monitor#
Optional-close voice listen	Tracker#
Optional-SOS alarm via press 3s button	SOSALM,A,M# A=ON/OFF



	M=0/1/2, way of alarming, 0 :GPRS only, 1: SMS+GPRS, 2 : GPRS+SMS+phone call, default : 0 ;
--	---

6. Web platform & Tracking APP

Website: www.gps16888.com APP name: **SecumorePlus**

Default IMEI as user name, password 123456.



How to change login user name instead of Use IMEI number?

Steps: Find “Detail” Button on APP → Plate Number → Input New user name in Capital Letter.